



SMOUV

Fiber Optic Fusion Splice Protector Sleeves

- Protects fusion splices
- Fits into most splice holders
- Quick shrink-down time

SMOUV 1120 splice protector sleeves provide mechanical and environmental protection for fusion splices of single and ribbonized fiber. Sleeves are compatible with the full range of Tyco Electronics fiber management systems and organizers.

The SMOUV 1120 sleeve consists of:

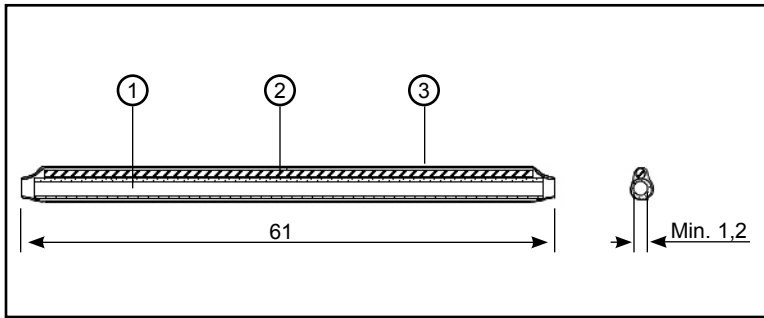
- clear outer heat-shrink material
- low temperature hot-melt adhesive to encapsulate the splice
- stainless steel rod for single fiber splices and a ceramic rod for ribbonized fiber splices to ensure proper alignment and rigidity

SMOUV 1120 sleeves for single fibers are ideal for protecting single fusion splices of primary and secondary tight or semi-tight coated fibers.

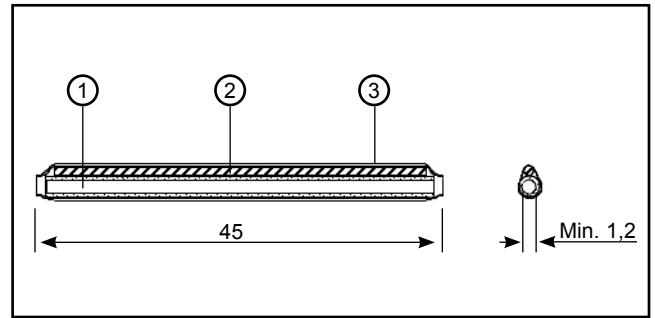
SMOUV 1120 sleeves for multiple fibers are ideal for protecting mass fusion splices of ribbons with two to twelve fibers.

Selection Guide

Dimensions in mm



SMOUV-1120-01-US
Universal type of SMOUV splice protector sleeve

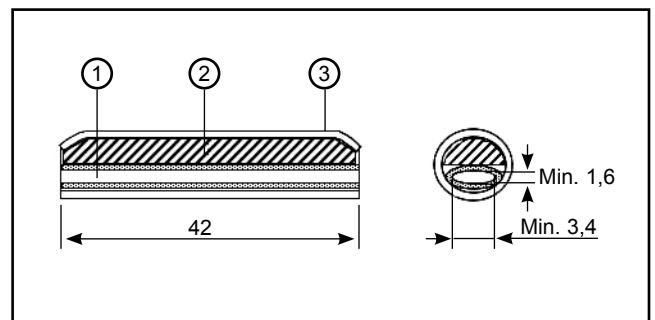


SMOUV-1120-02-US
Recommended for the FOSC high capacity organizer closure trays

1. Hot-melt adhesive
2. Stainless steel rod (ceramic rod for SMOUV-1120-R2/12-US)
3. Heat-shrinkable tube

Product Descriptor	Fiber Type	Unit of Measure	Quantity per Pack
SMOUV-1120-01-US	Single	pack	100
SMOUV-1120-02-US	Single	pack	100
SMOUV-1120-R2/12-US*	Ribbon	pack	50

*Ceramic rod



SMOUV-1120-R2/12-US
Multiple fiber splice protector for 2 - 12 fiber ribbons

Tyco Electronics Corporation
8000 Purfoy Road
Fuquay Varina, NC 27526-9349
Tel 919-557 8900
Fax 919-557 8498
www.tycoelectronics.com
www.telecomosp.com

SMOUV, TE logo, and Tyco Electronics are trademarks.

The information given herein, including drawings, illustrations and schematics which are intended for illustration purposes only, is believed to be reliable. However, Tyco Electronics Corporation makes no warranties as to its accuracy or completeness and disclaims any liability in connection with its use. Tyco Electronics' obligations shall only be as set forth in Tyco Electronics' Standard Terms and Conditions of Sale for this product and in no case will Tyco Electronics be liable for any incidental, indirect or consequential damages arising out of the sale, resale, use or misuse of the product. Users of Tyco Electronics products should make their own evaluation to determine the suitability of each such product for the specific application.