

Prepared by: Lodewijk Antheunis

Approved by: Pieter De Coster
Product Manager

Specification Control Drawing for the FOSC-450

Specification Control Drawing for the FOSC-450	1
Closure assembly	2
Dome FOSC-450 A	3
Dome FOSC-450 BS	4
Dome FOSC-450 B6	5
Dome FOSC-450 D6	6
Base FOSC-450 A	7
Base FOSC-450 BS	8
Base FOSC-450 B6	9
Base FOSC-450 D6	10
Cable attachment	11
Assembly FOSC-450 A	12
Assembly FOSC-450 BS	13
Assembly FOSC-450 B6	14
Assembly FOSC-450 D6	15
Dome/base clamp FOSC-450 BS	16
Dome/base clamp FOSC-450 A, B6, D6	17
Sealing ring	18
Gel block assembly	19
Plug	20

Closure assembly

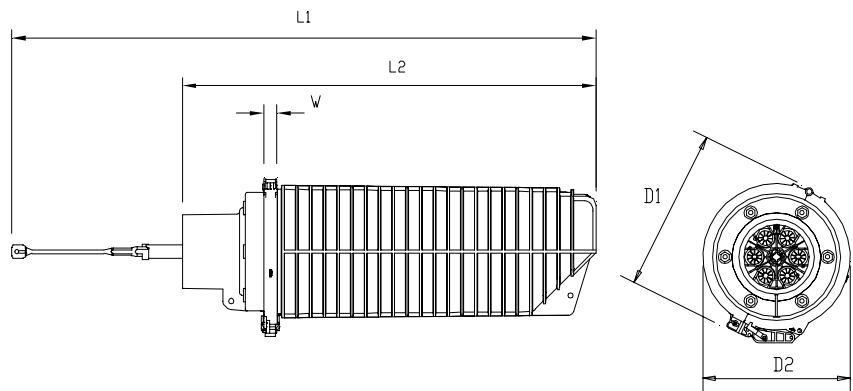
Part number See table underneath
 Material PP

Dimensions (in mm)

Product size	L1 (nom.)	L2 (nom.)	W (nom.)	D1 (nom.)	D2 (nom.)
FOSC-450 A	790	485	24	205	183
FOSC-450 BS	810	490	21,6	232	205
FOSC-450 B6	920	620	24	246	217
FOSC-450 D6	1063	753	24	291	266

Notes Nominal values are given for information only

Drawing key FOSC-450 D6 is shown.
 [1096] [1098]



Dome FOSC-450 A

Part description	Dome FOSC-450 A
Part number	K348-4449
Material	PP

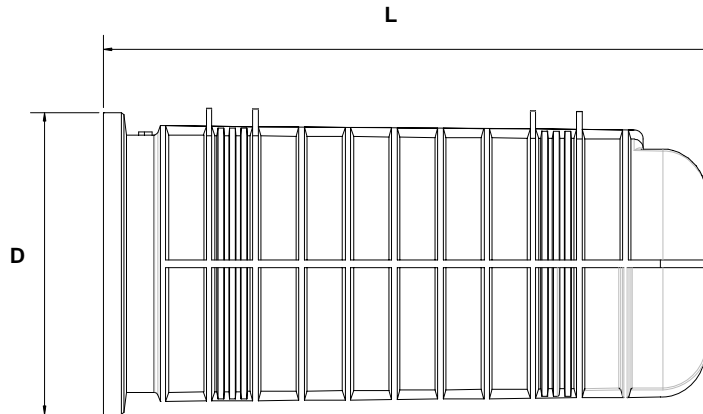
Dimensions (in mm)

Product size	Diameter	Length
	D (± 1)	L (nom.)
FOSC-450 A	163	330

Notes Nominal values are given for information only.

Drawing key

[1079]



Dome FOSC-450 BS

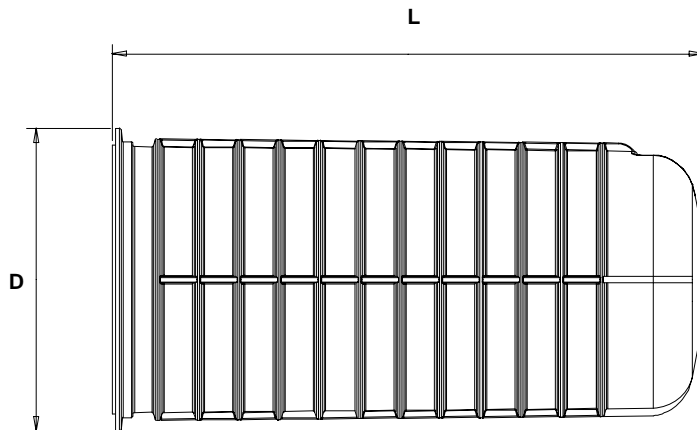
Part description Dome-450 BS
 Part number E7186-0177
 Material PP

Dimensions (in mm)

Product size	Diameter	Length
	D (± 1)	L (nom.)
FOSC-450 BS	155	365

Notes Nominal values are given for information only.

Drawing key
 [1061]



Dome FOSC-450 B6

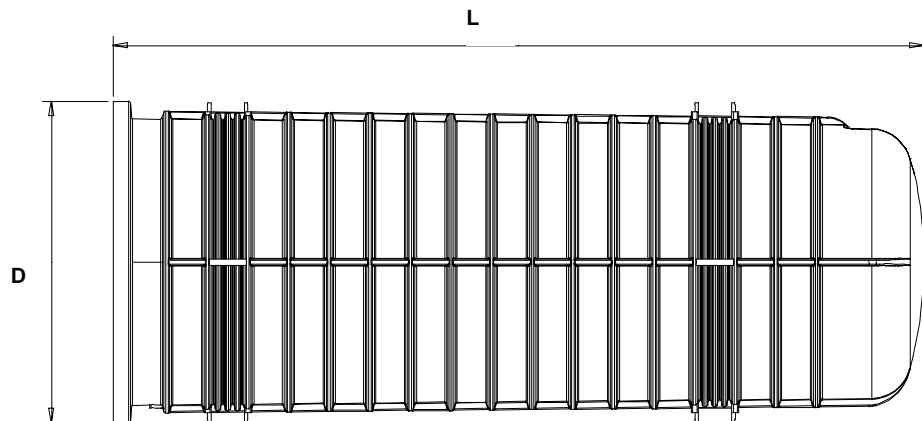
Part description Dome FOSC-450 B6
 Part number K379-6614
 Material PP

Dimensions (in mm)

Product size	D1 (nom.)	L (nom.)
FOSC-450 B6	199	502

Notes Nominal values are given for information only.

Drawing key
 [1061]



Dome FOSC-450 D6

Part description	Dome FOSC-450 D6
Part number	K348-4369
Material	PP

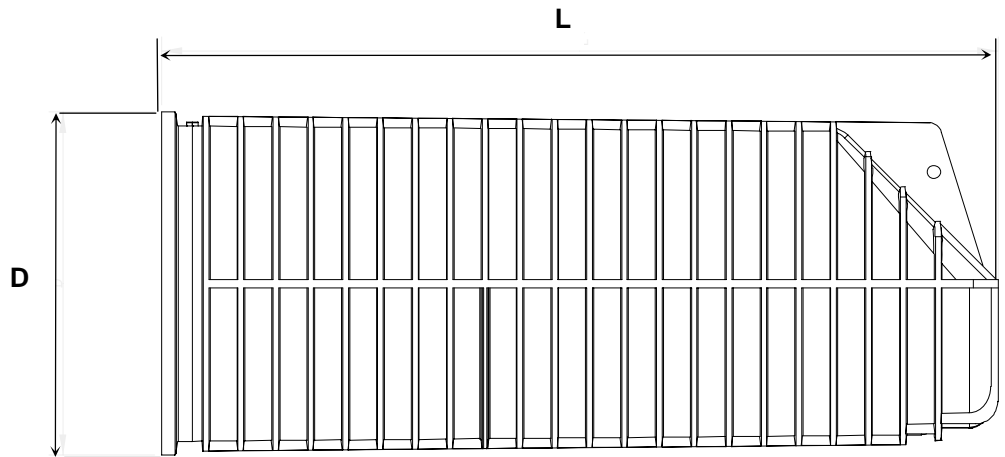
Dimensions (in mm)

Product size	Diameter	Length
	D (± 1)	L (nom.)
FOSC-450 D6	247	600

Notes Nominal values are given for information only.

Drawing key

[1008]



Base FOSC-450 A

Part description	Base FOSC-450 A
Part number	K420-9159
Material	PP

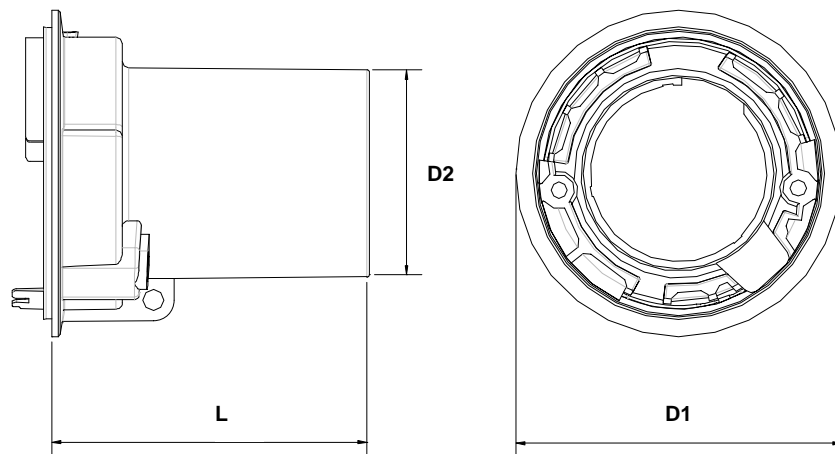
Dimensions (in mm)

Product size	D1 (nom.)	D2 (nom.)	L (nom.)
FOSC-450 A	157	102	153

Notes Nominal values are given for information only.

Drawing key

[1080]



Base FOSC-450 BS

Part description	Base FOSC-450 BS
Part number	K330-1955
Material	PP

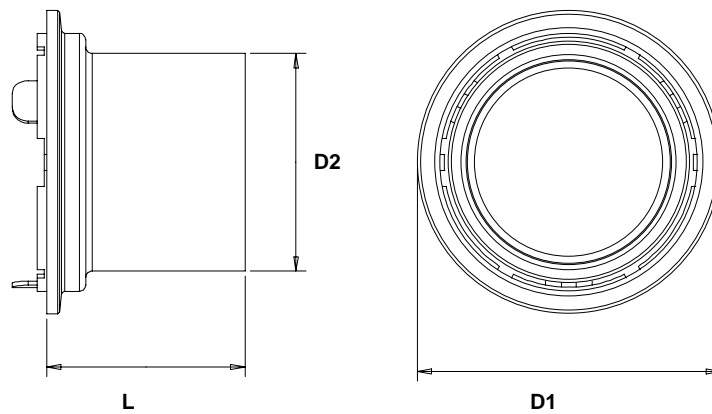
Dimensions (in mm)

Product size	D1 (nom.)	D2 (nom.)	L (nom.)
FOSC-450 BS	188	135	127

Notes Nominal values are given for information only.

Drawing key

[1061]



Base FOSC-450 B6

Part description FOSC-450 B6
 Part number K379-6612
 Material PP

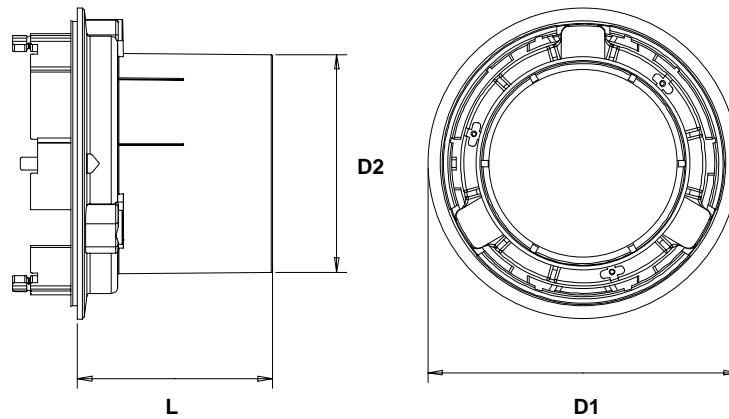
Dimensions (in mm)

Product size	D1 (nom.)	D2 (nom.)	L (nom.)
FOSC-450 B6	192	135	121

Notes Nominal values are given for information only.

Drawing key

[1061]



Base FOSC-450 D6

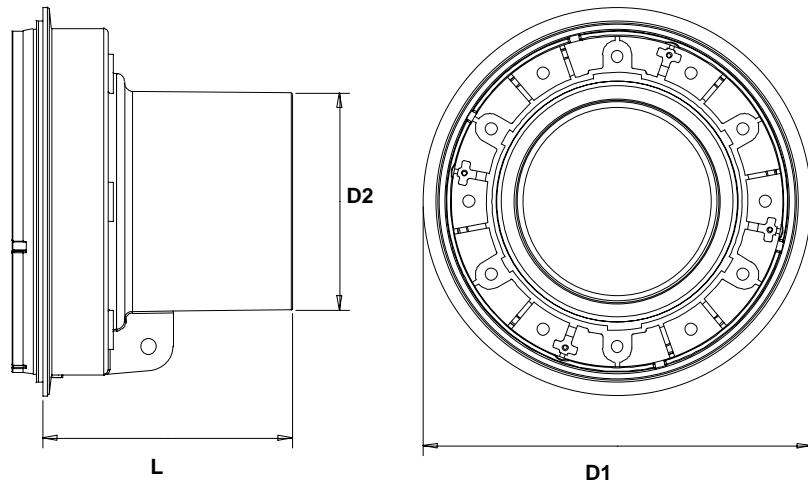
Part description FOSC-450 D6
 Part number K379-6584
 Material PP

Dimensions (in mm)

Product size	D1 (nom.)	D2 (nom.)	L (nom.)
FOSC-450 D6	241	135	155

Notes Nominal values are given for information only.

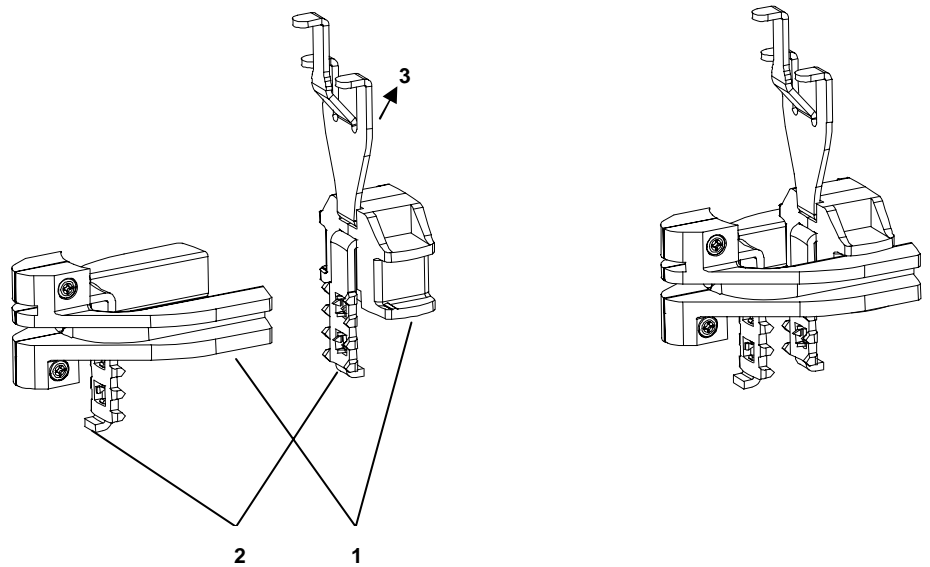
Drawing key
 [1061]



Cable attachment

Part description	Cable attachment for BS, B6, D6
Part number	FSCA-450B-2CA-ACCESS
Material	N.A.

Drawing key [1061]	1. Cable attachment: Glasfilled P.A.
	2. L-Brackets: ST-galvanized
	3. S.M.-fork: SS or ST-galvanized

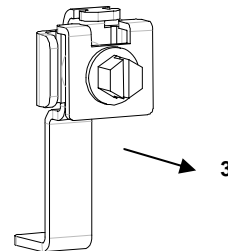
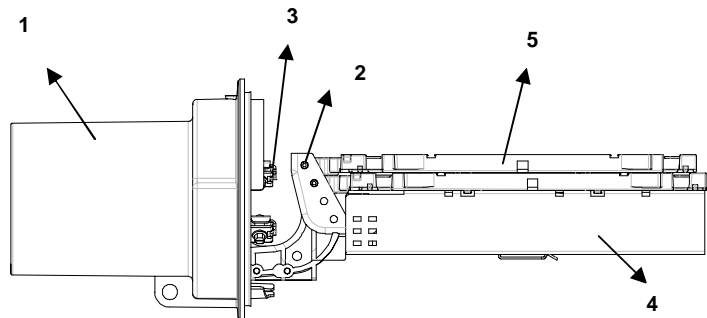


Assembly FOSC-450 A

Part description Assy FOSC-450 A

Drawing key
[1081]
[1082]

1. Base: PP
2. Tray tower with cable attachment: glass filled P.A. + ST-galvanized
3. Strength member attachment: SS
4. Storage basket: Alu
5. Trays: ABS

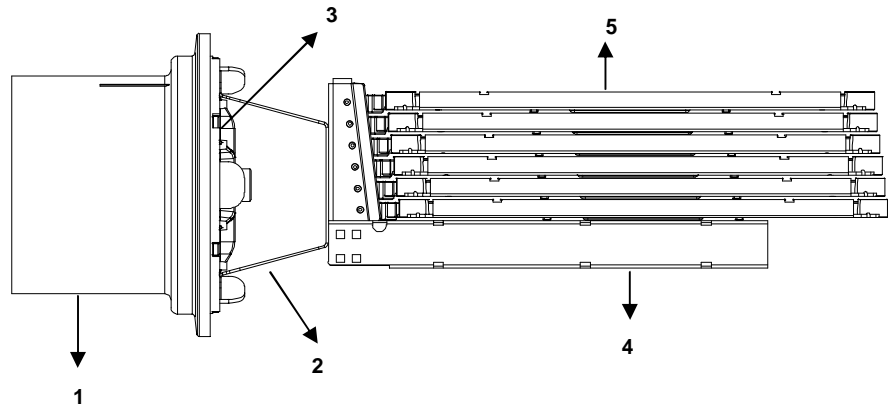


Assembly FOSC-450 BS

Part description Assy FOSC-450 BS

Drawing key
[1061]

1. Base: PP
2. Tray tower: SS
3. Metal cross: Alu
4. Storage basket: Alu
5. Trays: ABS

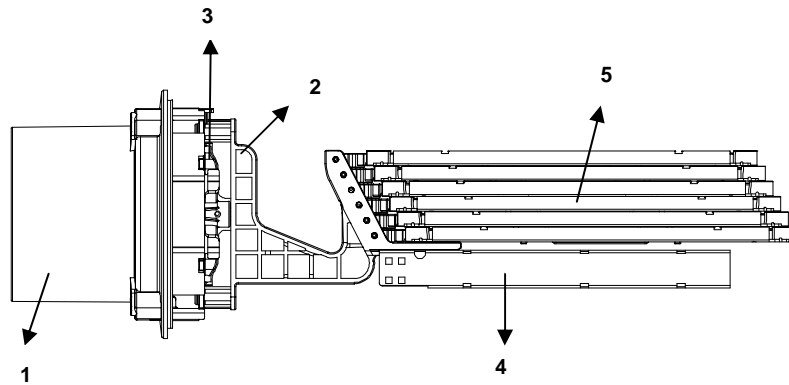


Assembly FOSC-450 B6

Part description Assy FOSC-450 B6

Drawing key
[1061]

1. Base: PP
2. Tray tower: glass filled P.C.
3. Metal cross: Alu
4. Storage basket: Alu
5. Trays: ABS

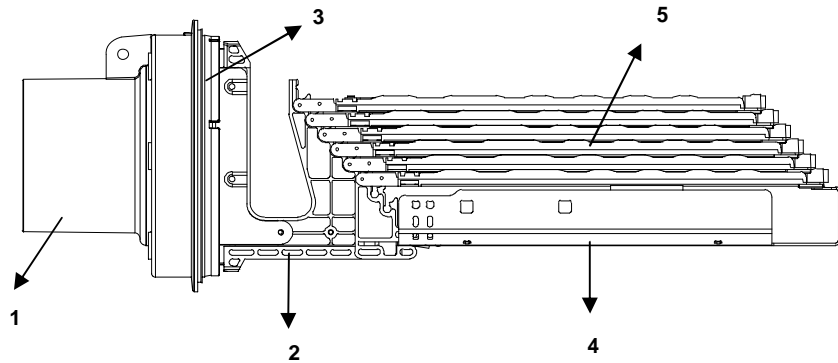


Assembly FOSC-450 D6

Part description Assy FOSC-450 D6

Drawing key
[1061]

1. Base: PP
2. Tray tower: glass filled P.C.
3. Metal cross: Alu
4. Storage basket: Alu
5. Trays: ABS



Dome/base clamp FOSC-450 BS

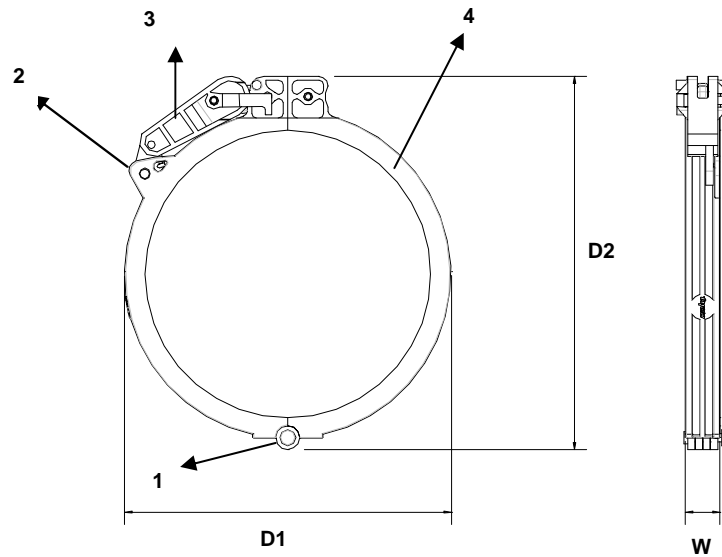
Part description Clamp-assy-TTFC
 Part number K330-7693
 Material Glass filled PA

Dimensions (in mm)

Product size	D1 (nom.)	D2 (nom.)	W (nom.)
FOSC-450 BS	205	232	21,6

Notes Nominal values are given for information only.

Drawing key 1. Hinge
 [1084] 2. Securing points
 3. Clamp Lever
 4. Clamp halves



Dome/base clamp FOSC-450 A, B6, D6

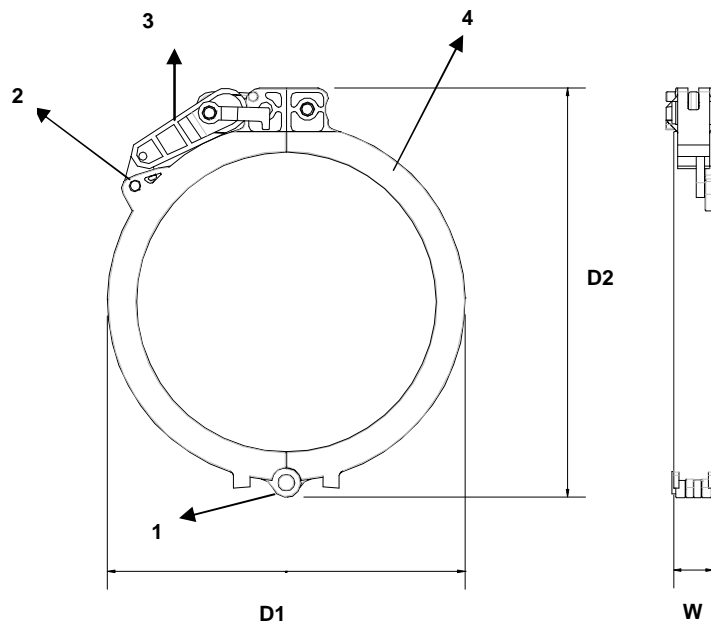
Part description Dome/base clamp
 Material Glass filled PA

Dimensions (in mm)

	D1 (nom.)	D2 (nom.)	W (nom.)
FOSC-450-A	183	205	24
FOSC-450 B6	217	246	24
FOSC-450 D6	266	291	24

Notes Nominal values are given for information only.

Drawing key [1085]
 1. Hinge
 2. Securing points
 3. Clamp lever
 4. Clamp halves



Sealing ring

Part description Dome/base sealing ring
 Material Buna 50 shore A

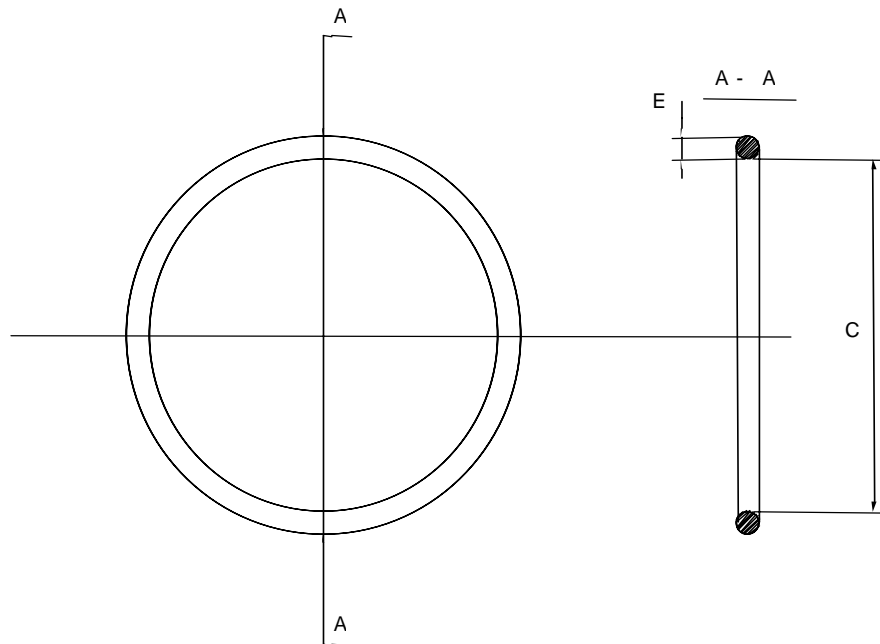
Dimensions (in mm)

	C (nom.)	E (nom.)
FOSC-450 A	139	5.3
FOSC-450 BS	170	5.3
FOSC-450 B6	175	5.3
FOSC-450 D6	222	5.3

Notes Nominal values are given for information only.
 Dimensions before assembly.

Drawing key

[388]



Gel block assembly

Part description	Gel block assembly
Part number	GBLC-ASSY/125 & GBLC-FOSC450A
Material	1. Block assembly in PP 2. Gel

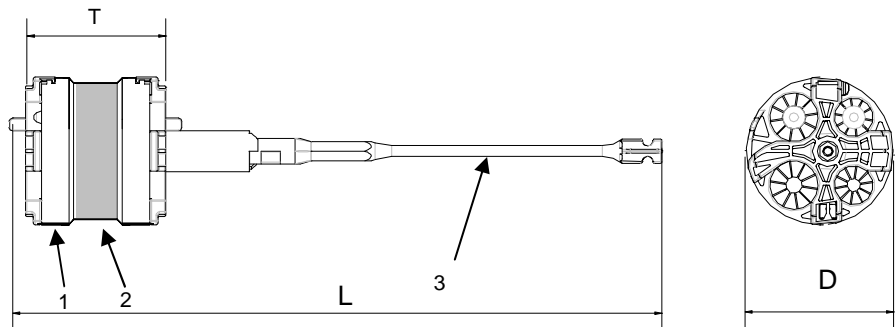
Dimensions (in mm)

Product size	D (nom.)	L (nom.)	T (nom.)
FOSC-450 A	91	404	87
FOSC-450 BS, B6, D6	125	419	85

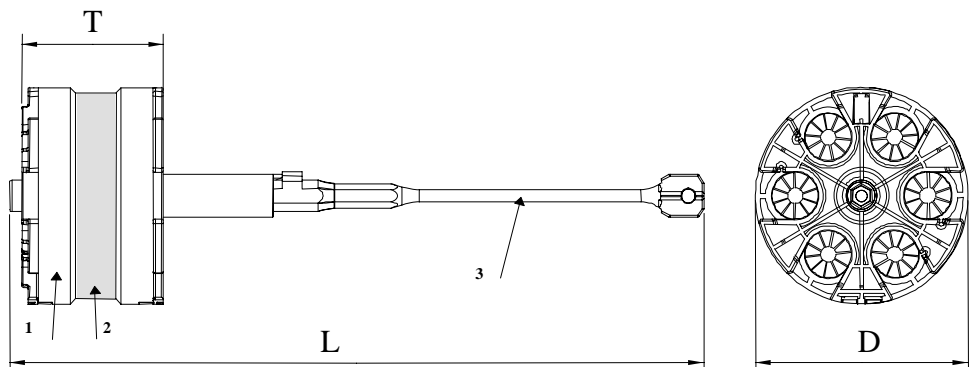
Notes Nominal values are given for information only.
 The dimensions in the table are for the product in uncompressed state.

Drawing key	1. Block assembly
[2. Gel
1083]	3. Trigger

FOSC-450 A



FOSC-450 BS, B6, D6



Plug

Part description	Plug
Part number	E7186-0175-S4081 (1) or 190824-000 (2)
Material	PP

Dimensions (in mm)

	D1 (nom.)	D2 (nom.)	L (nom.)
(1)	24	9	67.7
(2)	20	9.5	65.7

Notes Nominal values are given for information only.

Drawing key

[416b]

