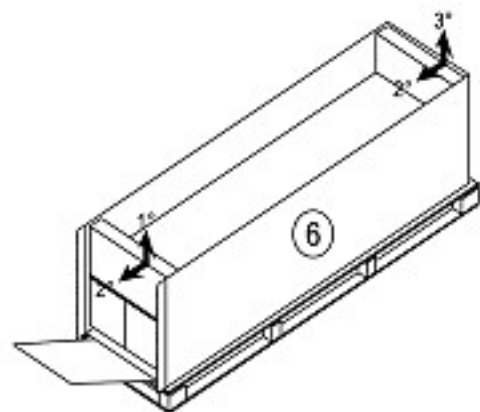
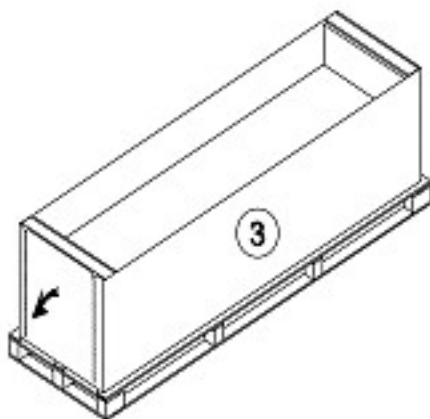
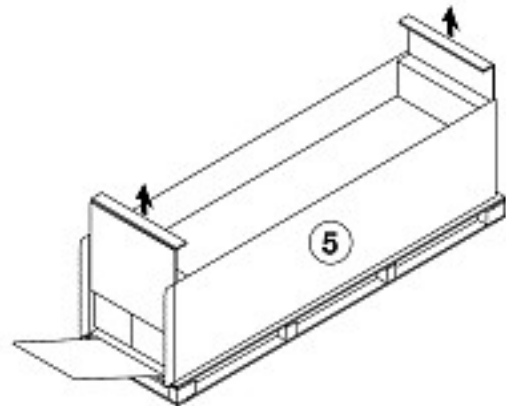
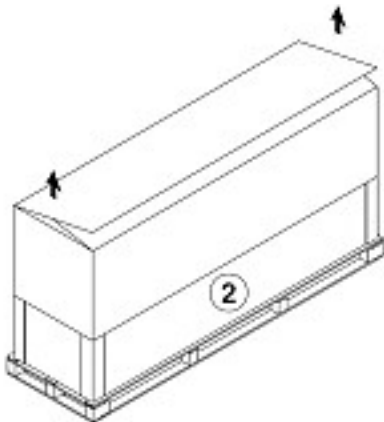
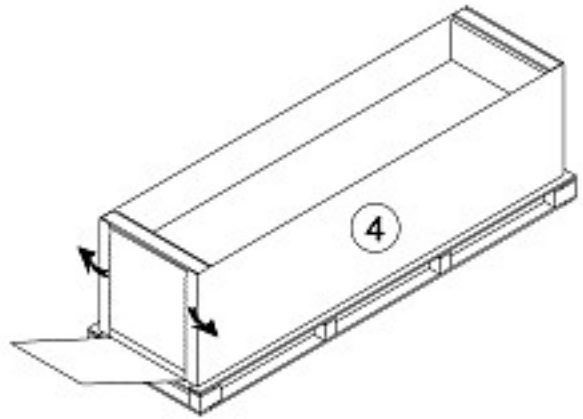
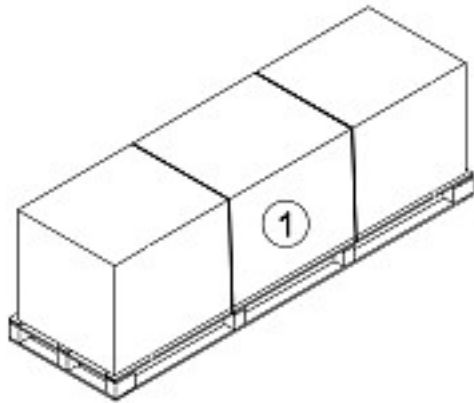


Unpacking instruction of FIST-GR2**TELECOM OUTSIDE PLANT****Tyco Electronics Raychem NV****Telecom Outside Plant**Diestsesteenweg 692
B-3010 Kessel-Lo, Belgium

Tel.: 32-16-351 011

Fax: 32-16-351 697

www.tycoelectronics.com

The information given herein, including drawings, illustrations and schematics which are intended for illustration purposes only, is believed to be reliable. However, Tyco Electronics makes no warranties as to its accuracy or completeness and disclaims any liability in connection with its use. Tyco Electronics' obligations shall only be as set forth in Tyco Electronics' Standard Terms and Conditions of Sale for this product and in no case will Tyco Electronics be liable for any incidental, indirect or consequential damages arising out of the sale, resale, use or misuse of the product. Users of Tyco Electronics products should make their own evaluation to determine the suitability of each such product for the specific application.