



BUDI-1S

Building distribution enclosure

home - **EnLighten**
FTTH Solutions

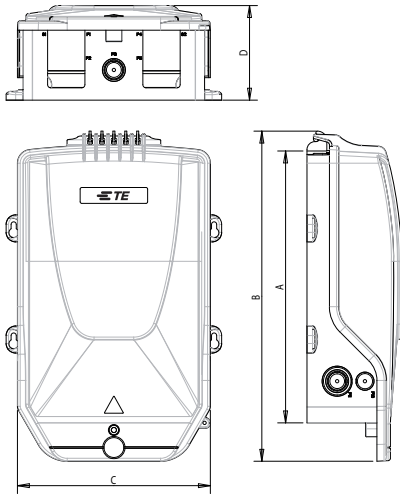
What is BUDI?

BUDI is a product range of compact wall mountable fiber enclosures for indoor and outdoor use. The enclosures are specifically designed for fast FTTH deployment and easy customer connection.

The BUDI product range offers service providers different capacities to fit all types types of MDUs.

Features

- The BUDI wall boxes are designed to operate in category C (controlled), category G (outdoor ground level) and category A (aerial) as characterized by IEC 61753-1
- Materials are LSZH; fire retardant
- UV stable material for outdoor above ground use
- Multiple cable ports available and bottom cable seal blocks are wrap around
- Possibility to integrate passive optical components
- Removable enclosure lid
- The splice-patch version has a capacity of 16 SC connectors or 32 LC. Other connector types can be made available
- Compatible with pre-tailed Mini-Breakout cable
- For FIST splice applications one has minimum 16 UMS units available for the splice version and 8 UMS available for the splice/patch version. This UMS space holds the FIST-SOSA splice cassette system
- A cable loop can be stored for mid-span access
- Lock with key available
- Multiple accessories available to terminate and seal different cable types



Size

	BUDI-1S
A: Height box (mm)	340
B: Height cover (mm)	420
C: Width (mm)	240
D: Depth (mm)	120

Capacities

BUDI-1S	BUDI-1S-SP Splice	BUDI-1S-T Splice/Patch
UMS available for splicing cassettes	16	8
Splice capacity with SE trays (12/tray)	96	48
Splice capacity with SC trays (2/tray)	32	16
Patch panel capacity SC/LC	NA	16/32
Loop Capability	Yes	Yes

BUDI-1S-X-X

SP FIST splice version, no patch panel
T Termination patch panel and FIST splice trays

A No Lock
B TE Lock and key No1

For more technical options and order quantity information, please consult the products ordering guides or your local sales representative.

FIST, TE (logo) and TE Connectivity are trademarks of the TE Connectivity group of companies and its licensors. Kevlar is a trademark.

The information given herein, including drawings, illustrations and schematics which are intended for illustration purposes only, is believed to be reliable. However, TE Connectivity makes no warranties as to its accuracy or completeness and disclaims any liability in connection with its use. TE Connectivity's obligations shall only be as set forth in TE Connectivity's Standard Terms and Conditions of Sale for this product and in no case will TE Connectivity be liable for any incidental, indirect or consequential damages arising out of the sale, resale, use or misuse of the product. Users of TE Connectivity products should make their own evaluation to determine the suitability of each such product for the specific application.

Tyco Electronics Raychem bvba
 Diestsesteenweg 692
 3010 Kessel-Lo, Belgium
 Tel 32-16 351 011 (USA)1-919-557-8900
 Fax 32-16 351 697 (USA)1-919-557-8498
 www.te.com
 www.telecomnetworks.com
 TC 1080/DS/1 07/11

