



# BUDI-S and BUDI-M

## Building distribution enclosure

The BUDI-S and BUDI-M are wall mountable enclosures for indoor and outdoor use developed for FTTH network architectures.

This enclosure accommodates the FIST fiber management system in case a spliced fiber connectivity solution is deployed.

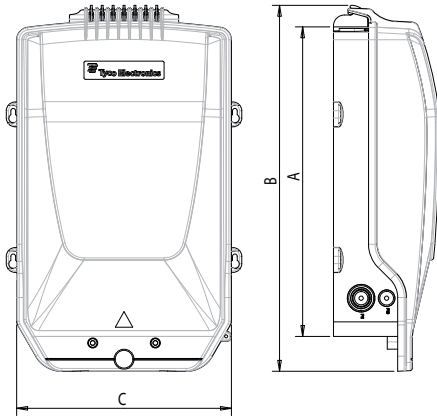
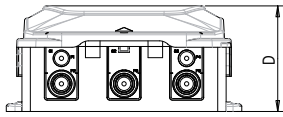
In case connectorized connectivity is required, a new plug-and-play solution is offered for both PON and Point-To-Point architectures. To connect a customer one only has to insert an available connector into the patch panel to make the link with the customer. Adding pre-tailed splitters (OCM6 module) is as well a plug-and-play

operation to allow the connection time to be as short as possible.

### Features

- The BUDI wall boxes are designed to operate in category C (controlled), category G (outdoor ground level) and category A (aerial) as characterized by IEC 61753-1
- Materials are LSZH; fire retardant
- UV stable material for outdoor above ground use
- Multiple cable ports available and bottom cable seal blocks are wrap around
- Possibility to integrate passive optical components
- Removable enclosure lid
- Capacity of 24 SC connectors or 48 LC for the BUDI-S and 48/96 for the BUDI-M connectors. Other connector types can be made available as well
- Compatible with pre-tailed Mini-Breakout cable
- 4 to 6 OCM6 splitter modules can be integrated
- Demarcation between residential customers and business customers
- For FIST splice applications one has minimum 28 UMS units available for BUDI-S and 36 UMS units available for the BUDI-M to mount FIST-SOSA2 splice modules (Single Element and Single Circuit).
- The splice version (FIST) and the BUDI-M with connectors can accommodate a cable loop
- Lock with key available
- Multiple accessories available to terminate and seal different cable types

## Dimensions



Size	BUDI-S	BUDI-M
A: Height box (mm)	425	480
B: Height cover (mm)	500	550
C: Width (mm)	295	360
D: Depth (mm)	145	175

## Capacities

### BUDI-SPLICE (FIST)

BUDI-S	SE	SC
# trays	14	28
# splices	168	56-112

### BUDI-M

# trays	18	36
# splices	216	72-144

### BUDI-Termination (Splice-Patch)

BUDI-S with connector	LC	SC
Connector capacity	48	24
Number of point-to-point splices		8
Number of integrated OCM6 modules		4

BUDI-M with connector	LC	SC
Connector capacity	96	48
Number of point-to-point splices		8
Number of integrated OCM6 modules		6

## Accessories

OCM6 splitter module for BUDI-S

- OCM6-SXX 1XXX-62CI1 (input connector is always SC/PC or SC/APC)
- To fill in the remaining options, please consult the designated data sheet.

OCM6 splitter module for BUDI-M

- OCM6-SXX 1XXX-71CI1

BUDI-Seal multiple kits as cable termination and seal are available depending on cable size and application

For support on your configuration please contact your local sales representative

FIST, TE (logo) and Tyco Electronics are trademarks of the Tyco Electronics group of companies and its licensors.

The information given herein, including drawings, illustrations and schematics which are intended for illustration purposes only, is believed to be reliable. However, Tyco Electronics makes no warranties as to its accuracy or completeness and disclaims any liability in connection with its use. Tyco Electronics' obligations shall only be as set forth in Tyco Electronics' Standard Terms and Conditions of Sale for this product and in no case will Tyco Electronics be liable for any incidental, indirect or consequential damages arising out of the sale, resale, use or misuse of the product. Users of Tyco Electronics products should make their own evaluation to determine the suitability of each such product for the specific application.

Tyco Electronics Raychem bvba

Diestsesteenweg 692

3010 Kessel-Lo, Belgium

Tel 32-16 351 011 (USA)1-919-557-8900

Fax 32-16 351 697 (USA)1-919-557-8498

www.tycoelectronics.com

www.telecomosp.com

TC 1072/DS/3 06/11

