

Prepared by: K. Van de Plas

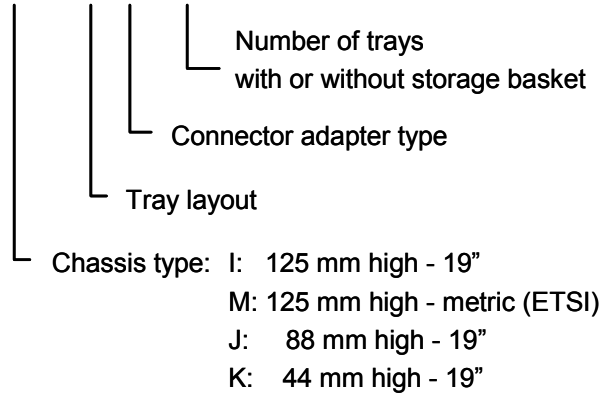
Specification Control Drawing for the Generic Tray Splicing & Patching Shelf (FIST-GPS2 and FIST-GPST-12)

Tray patching shelf & tray options	2
Shelf chassis – 125 mm high	3
Shelf chassis – 88 mm high	4
Shelf chassis – 44 mm high	5
Top view of drawer	6
Storage basket for 88 mm and 125 mm high shelves	7
Storage basket for 44 mm high shelf	8
FIST-GPST-12 tray	9

Tray patching shelf & tray options

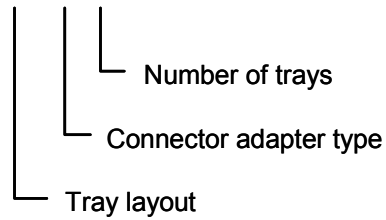
The FIST-GPS2 name string allows to select the following options. See the ordering guide for more details.

FIST-GPS2- X - XX X - X



The FIST-GPST-12 name string allows to select the following options. See the ordering guide for more details.

FIST-GPST-12-XX X-2



Shelf chassis – 125 mm high

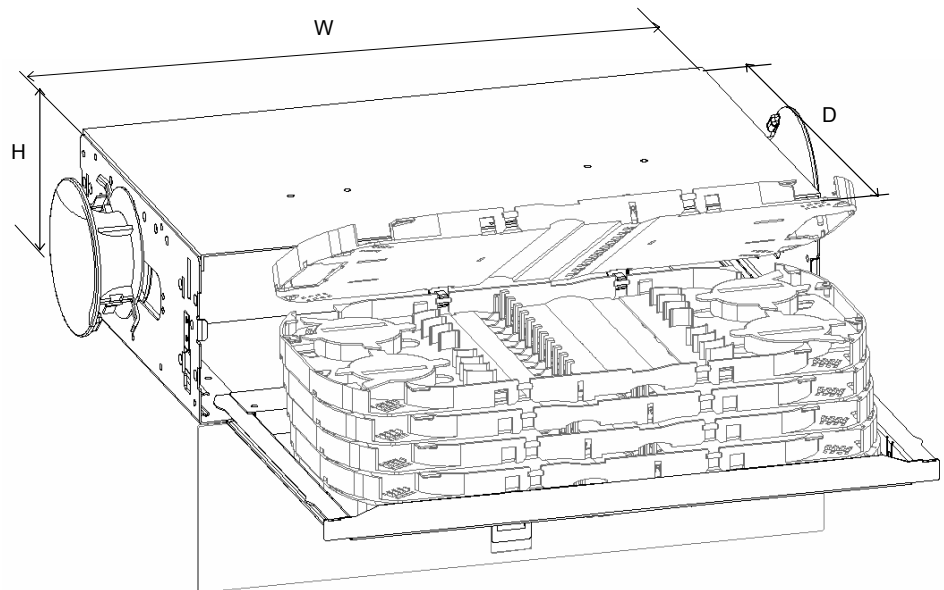
Part description	FIST-GPS2 chassis – 125 mm high
Part number	See table underneath
Material	Painted steel (RAL 7035)

Dimensions (in mm)

Product size	Unit size	Width		Height H (nom.)	Depth D (nom.)
		W (nom.)	W* (nom.)		
FIST-GPS2-M-...	Metric (ETSI)	494	531	125	280
FIST-GPS2-I-...	19 inch	444	481	125	280

Notes Nominal values are given for information only
 * Width of shelf including mounting brackets

Drawing key The drawing shows tray layout AA (patch/patch)
 [836]



Shelf chassis – 88 mm high

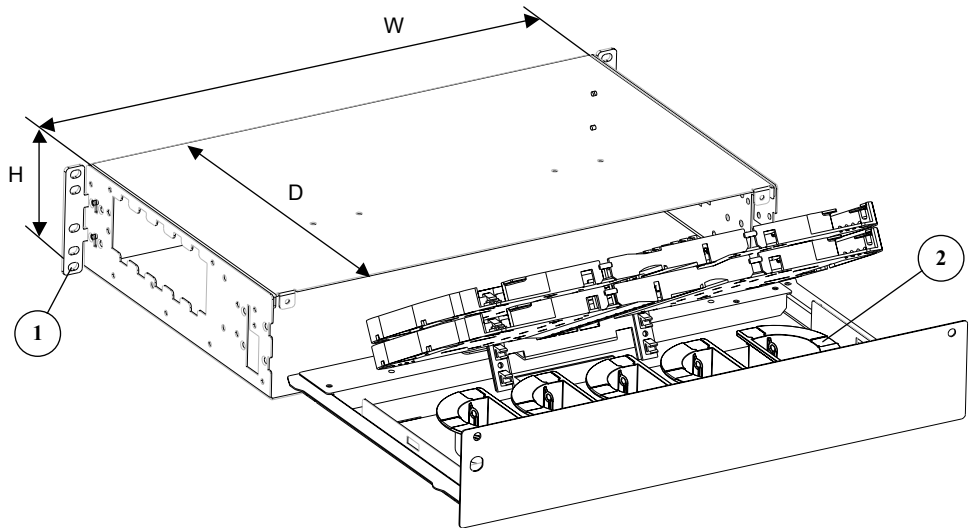
Part description	FIST-GPS2 chassis – 88 mm high
Part number	See table underneath
Material	Painted steel (RAL 7035)

Dimensions (in mm)

Product size	Unit size	Width		Height H (nom.)	Depth D (nom.)
		W (nom.)	W* (nom.)		
FIST-GPS2-J-...	19 inch	444	481	88	280

Notes Nominal values are given for information only
 * Width of shelf including mounting brackets

Drawing key 1. Mounting brackets (field installable)
 [874] 2. Storage basket (optional, expressed by the last digit in the name string)



Shelf chassis – 44 mm high

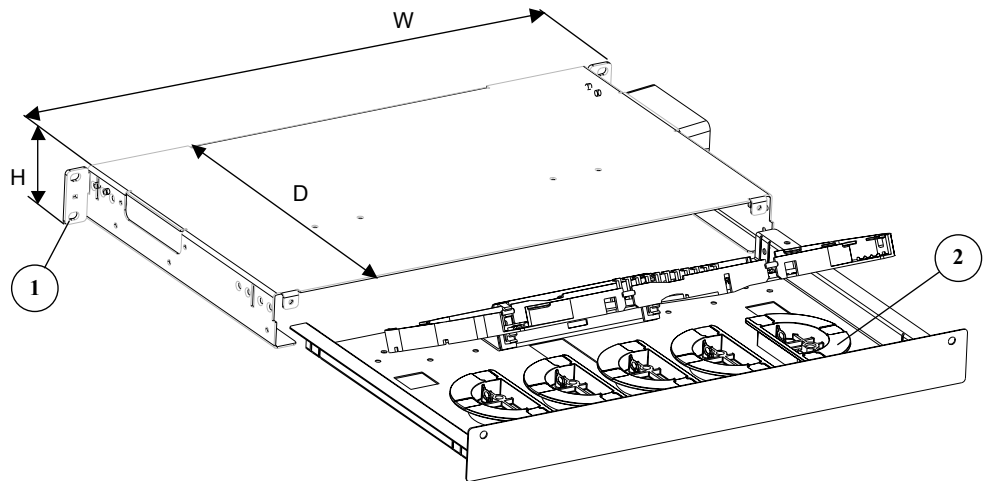
Part description	FIST-GPS2 chassis – 44 mm high
Part number	See table underneath
Material	Painted steel (RAL 7035)

Dimensions (in mm)

Product size	Unit size	Width		Height	Depth
		W (nom.)	W* (nom.)	H (nom.)	D (nom.)
FIST-GPS2-K-...	19 inch	444	481	44	280

Notes Nominal values are given for information only
 * Width of shelf including mounting brackets

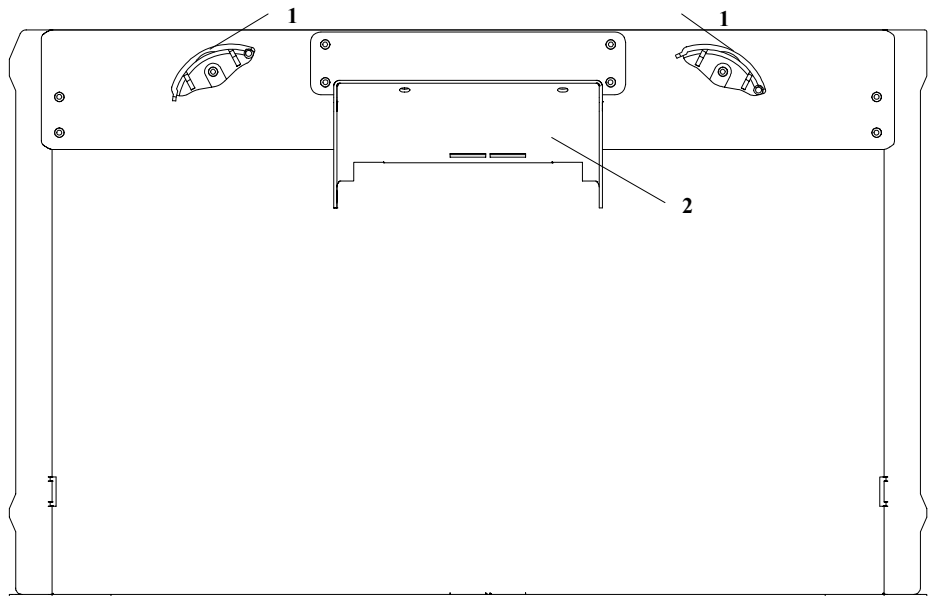
Drawing key 1. Mounting brackets (field installable)
 [875] 2. Storage basket (optional, expressed by the last digit in the name string)



Top view of drawer

Part description FIST-GPS2 – top view of drawer
Part number FIST-GPS2-M-... (all options without storage basket)
FIST-GPS2-I-... (all options without storage basket)
FIST-GPS2-J-... (all options without storage basket)

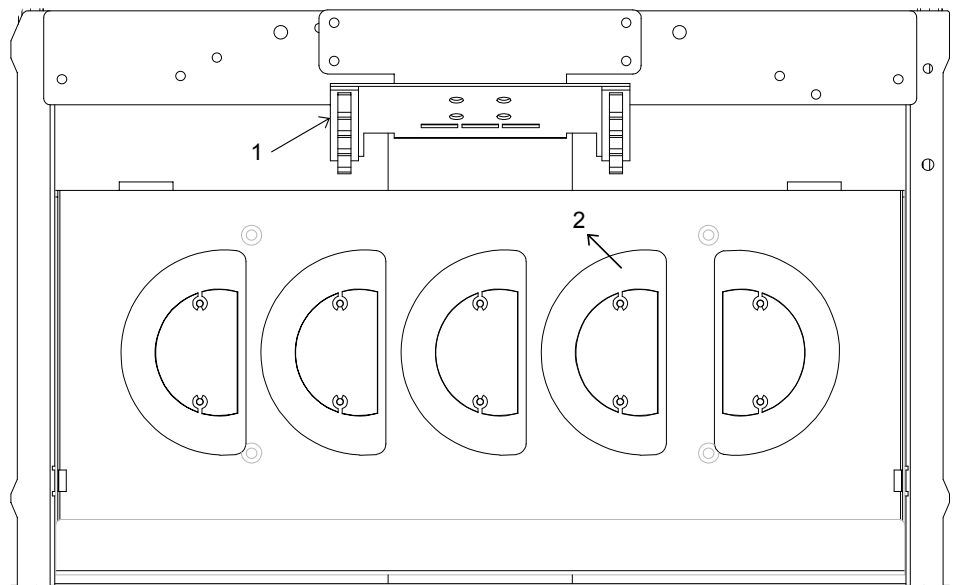
Drawing key 1. Pigtail bend controls (not for FIST-GPS2-I-...)
[641] 2. Tray hinge



Storage basket for 88 mm and 125 mm high shelves

Part description FIST-GPS2 storage basket (for 88 and 125 mm high versions)
 Part number NA

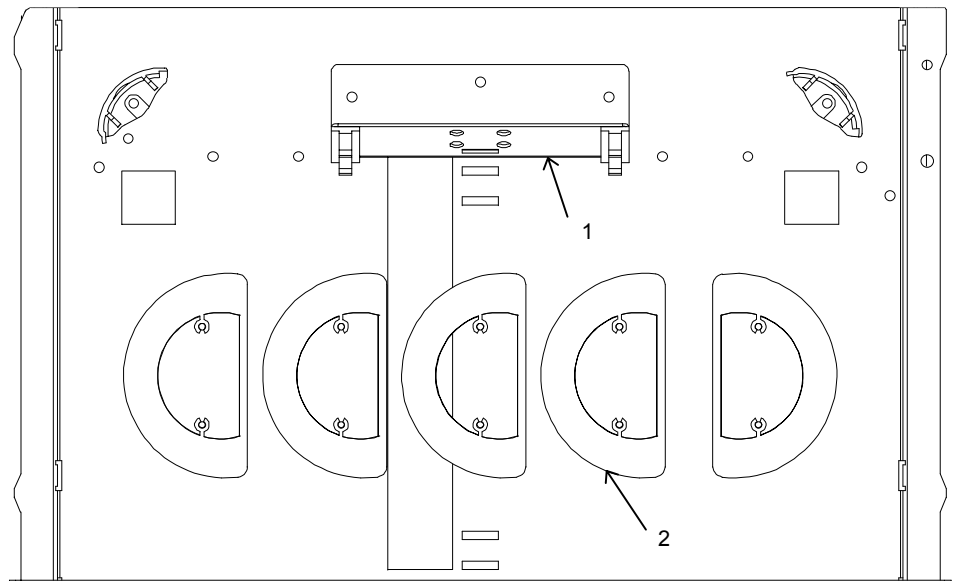
Drawing key 1. Tray hinge (capacity: 2 trays for chassis J, 4 trays for chassis M and I)
 [836] 2. Bend controls for patchcord storage (storage basket)



Storage basket for 44 mm high shelf

Part description FIST-GPS2 storage basket for 44 mm high shelf
Part number NA

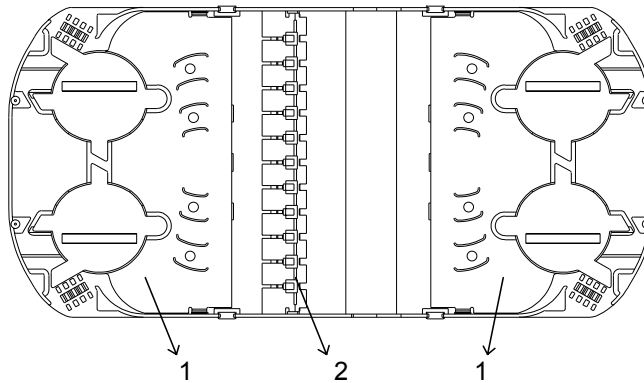
Drawing key 1. Tray hinge (capacity: 1 tray)
[836] 2. Bend controls for patchcord storage (storage basket)



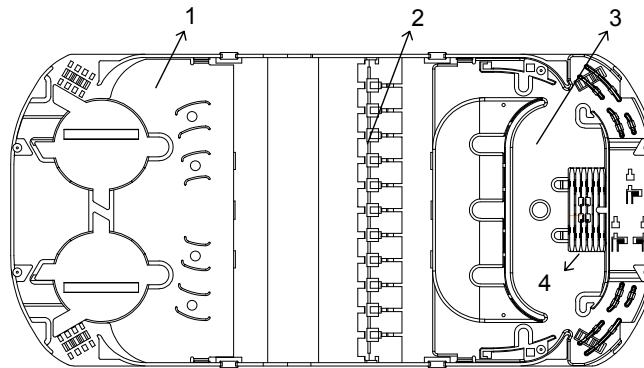
FIST-GPST-12 tray

Part description FIST-GPST-12 tray
 Part number FIST-GPST-12-XXX-2

Drawing key
 [837] 1. Patchcord unit
 2. Connector sites
 3. Splice unit
 4. Splice holder



Tray layout AA



Tray layout AE